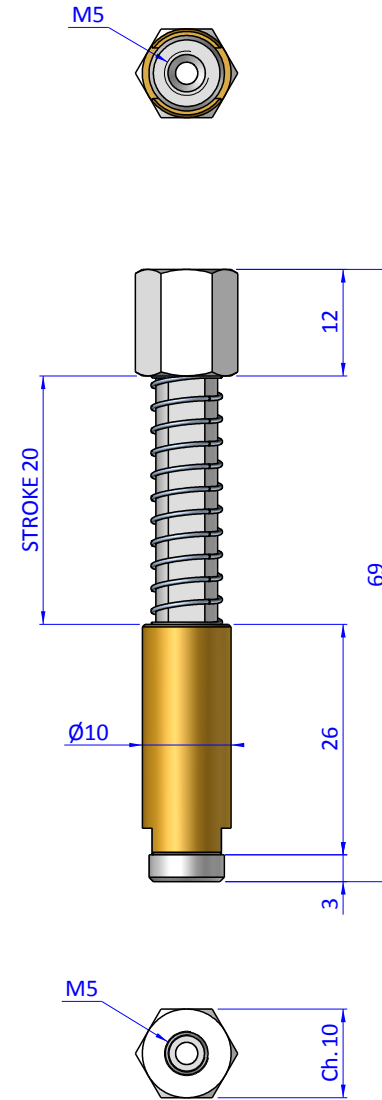
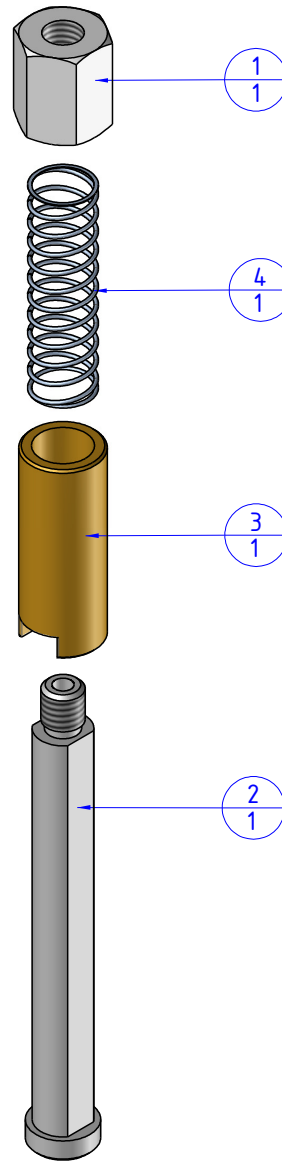


THE PROPERTY OF THE DRAWING IS ESTABLISHED BY LAW. IT IS FORBIDDEN TO PRODUCE OR SHOW IT TO THIRD PARTY, WITHOUT A WRITTEN AGREEMENT.

| Item | Name            | Q.ty |
|------|-----------------|------|
| 1    | 05.01.005.01.10 | 1    |
| 2    | 05.01.005.05    | 1    |
| 3    | 05.01.005.08    | 1    |
| 4    | M.8x35.6N       | 1    |



Format A3

UNI 936-76

|                   |  |                 |         |                 |
|-------------------|--|-----------------|---------|-----------------|
|                   |  | DESIGNED FROM   |         | REVIEW          |
|                   |  | FPSERVICES      |         | A               |
| GENERAL TOLERANCE |  | DATE            | WEIGHT  |                 |
| UNI - ISO 2768    |  | 13/02/2019      | 0,026kg |                 |
| CLASSE f          |  | CODE            |         |                 |
|                   |  | CA.05.02.009.6N |         | CA.05.02.009.6N |